

Technical specifications: **TM08**



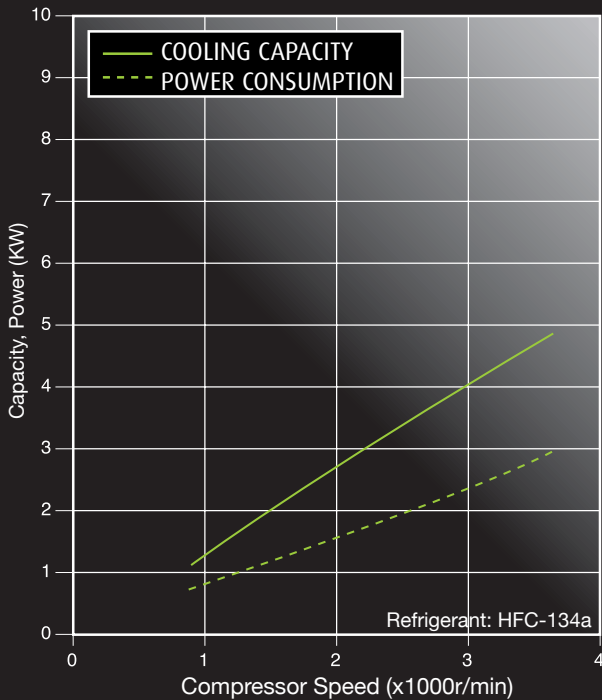
Compact & adaptable compressor
 -Large choice of clutches and fittings
 -High reliability
 -Suitable for Heavy Duty applications



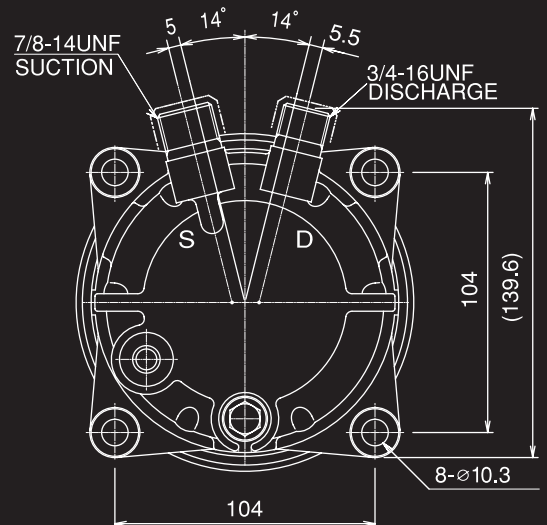
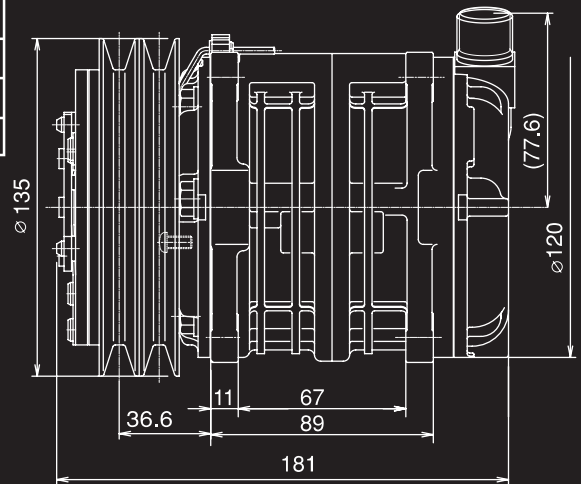
www.valeocompressors.com

MODEL	TM08B	TM08D
DISPLACEMENT	82cm ³ /rev.	82cm ³ /rev.
NUMBER OF PISTONS	6	6
RANGE	700-6000	700-6000
REFRIGERANT	HFC-134a	HFC-134a
OIL	ZXL 100PG 150cm ³	ZXL 100PG 150cm ³
WEIGHT	6.2Kg (with clutch)	6.2Kg (with clutch)
MOUNT	Vertical	Ear

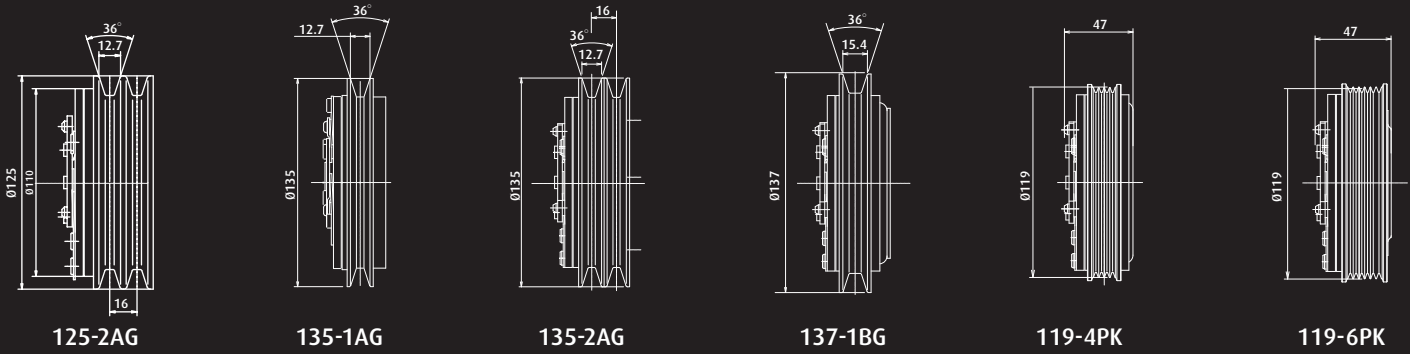
PERFORMANCE CURVES: TM08 B&D



TEST CONDITIONS
 Discharge pressure: 1.52MPa (gage)
 Suction pressure : 0.18MPa (gage)
 Sub cool :5°C Super heat : 10°C

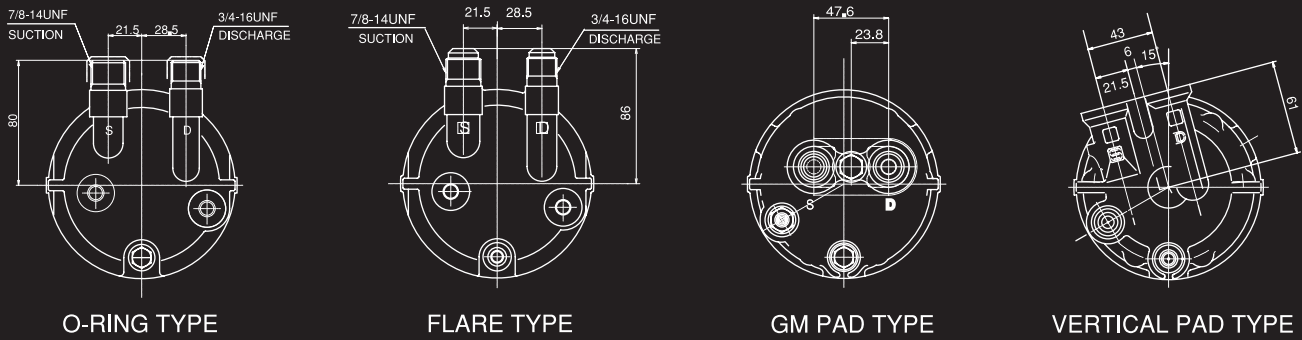


MAGNETIC CLUTCH VARIATIONS

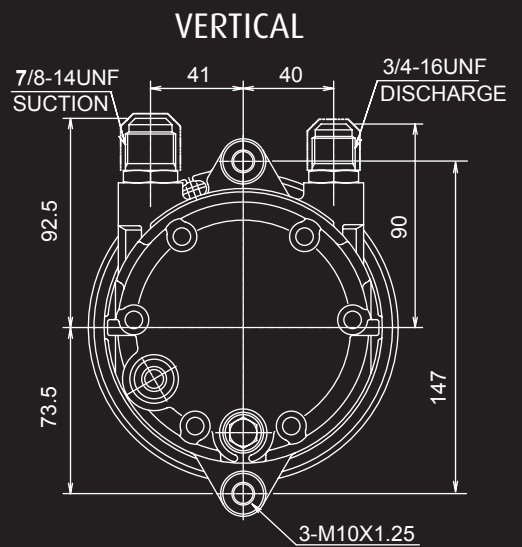
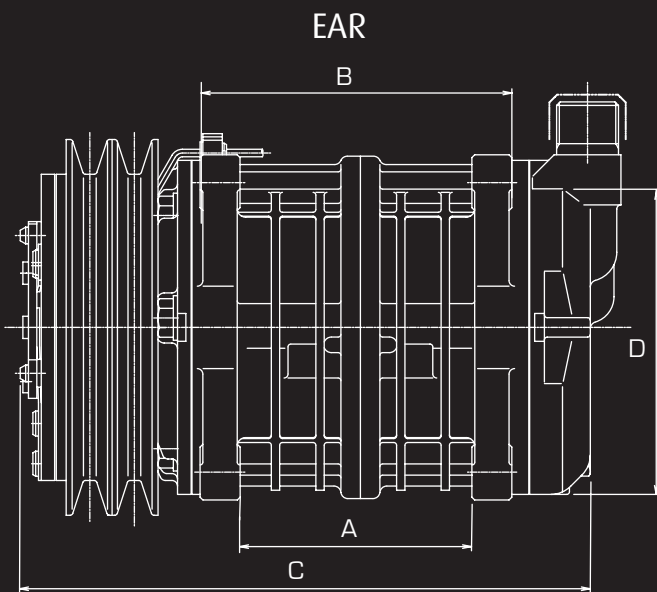


Also available : 8 groove magnetic clutch

CYLINDER HEAD VARIATIONS



MOUNTING



	A	B	C	D	Oil capacity
TM08D	67mm	89 mm	186 mm	104 mm	150 cc